

ASSEMBLY INSTRUCTION

revision 01 / 12.2023



WARNINGS

Before you begin assembling this sim racing cockpit add-on kit, please read all installation instructions and warnings thoroughly.

FAILURE TO COMPLY WITH OR OBSERVE ALL ASSEMBLY, SAFETY AND OPERATION INSTRUCTIONS AND WARNINGS REGARDING THE USE OF THIS PRODUCT MAY RESULT IN SERIOUS BODILY INJURY.

This product complies with the prescribed safety regulations. Inappropriate use may cause injury.

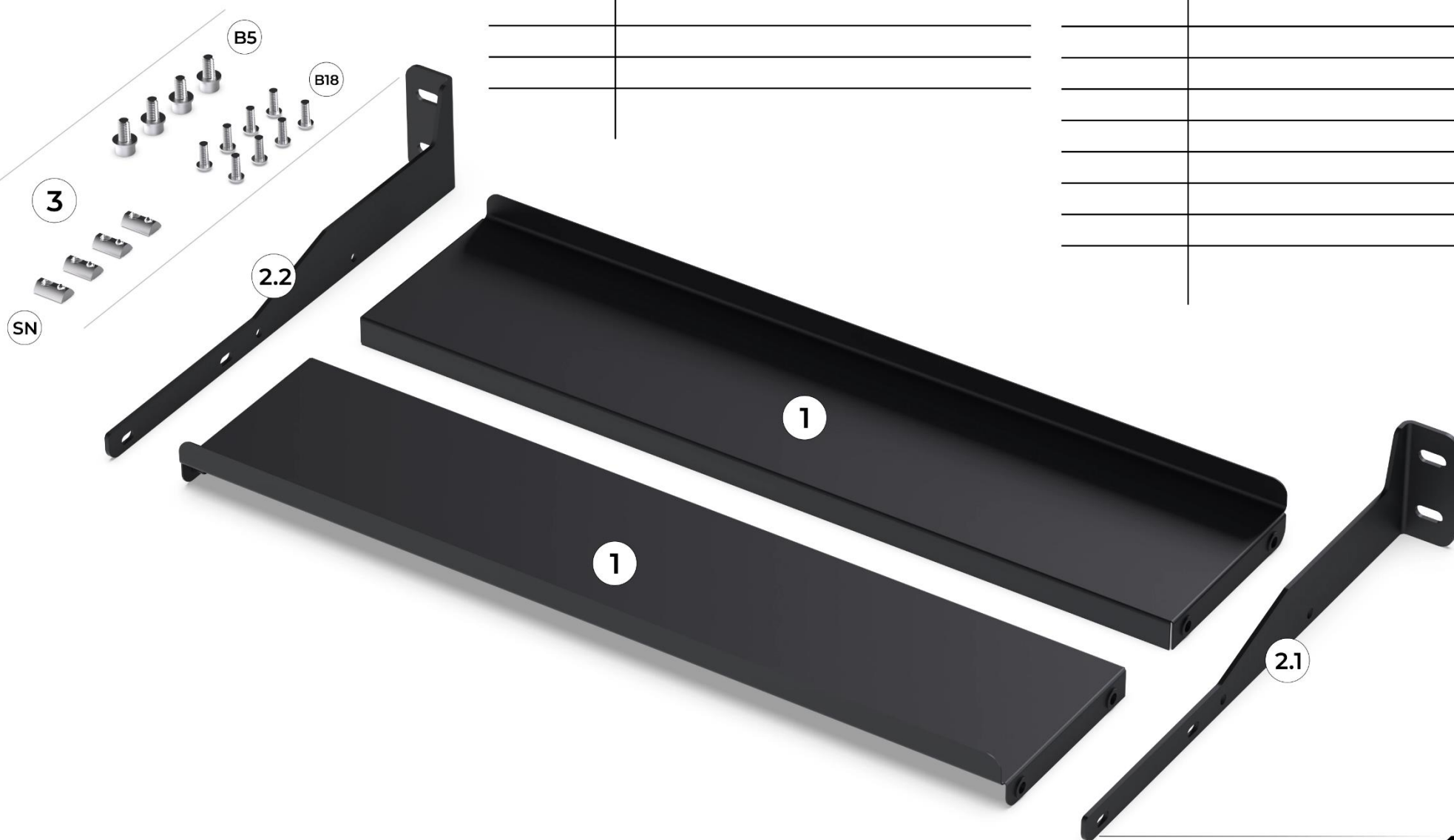
A1 PC Tray

Table of contents

1 x 2pcs	Main support L580 x W135
2.1 x 1pcs	Mounting Bracket R (Right)
2.2 x 1pcs	Mounting Bracket L (Left)

6 Fasteners and tools

SN x 4pcs	T-Nut M8 with ball insert
B5 x 4pcs	M8x16 din 912
B18 x 8pcs	M6x16 button head
H4 x 1pcs	No.4 Hex Key
H5 x 1pcs	No.5 Hex Key
H6 x 1pcs	No.6 Hex Key



Inserting T-Slot-Nuts:

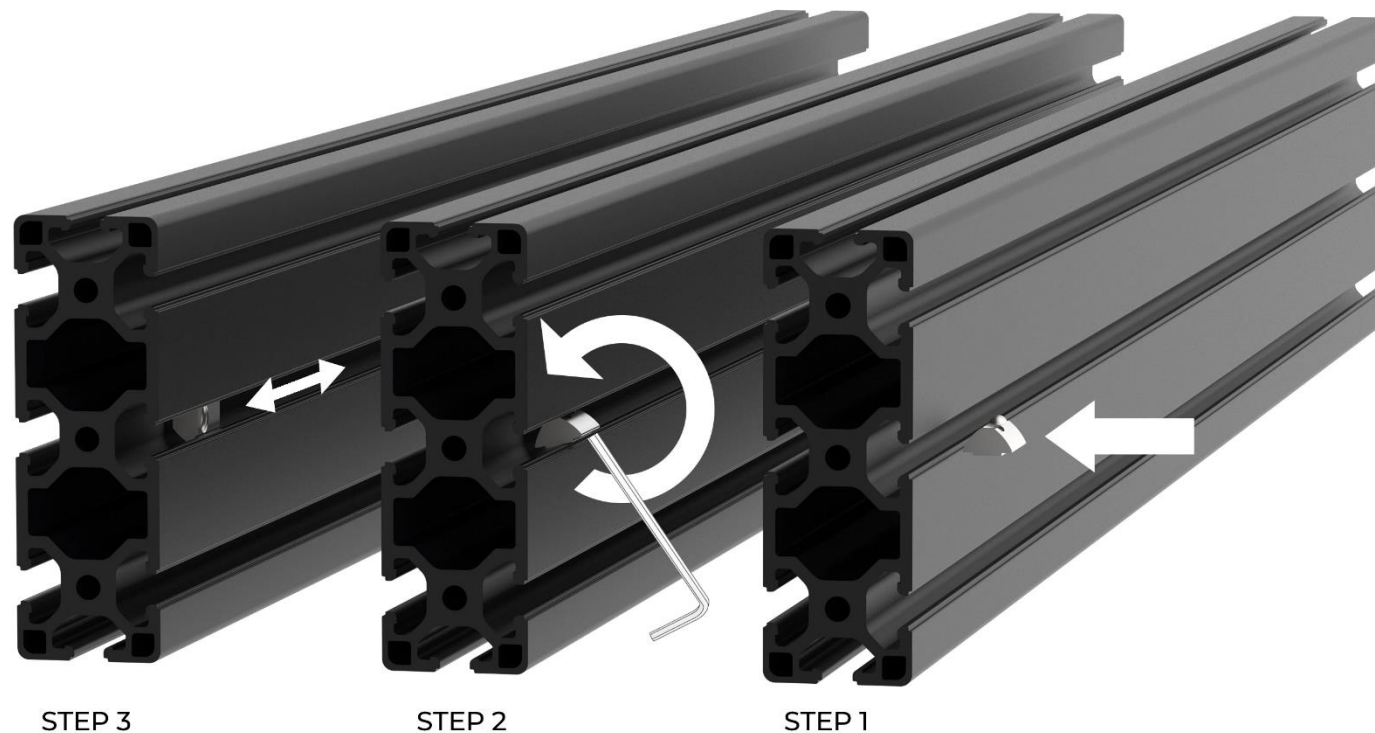
All feature Roll in T-Nut with Ball Spring- M8 thread. It loads either from the profile ends or side. The nut can be easily rolled into the T-Slot. This helps where the profile ends are inaccessible (for example, installing accessories later on) The ball with a spring inside the nut, fixate it into place. It is self-aligning, so the thread will always be in the middle of the T-slot and will not fall down the T-Slot even if it's in vertical position when assembling the chassis (easy for the assembly).

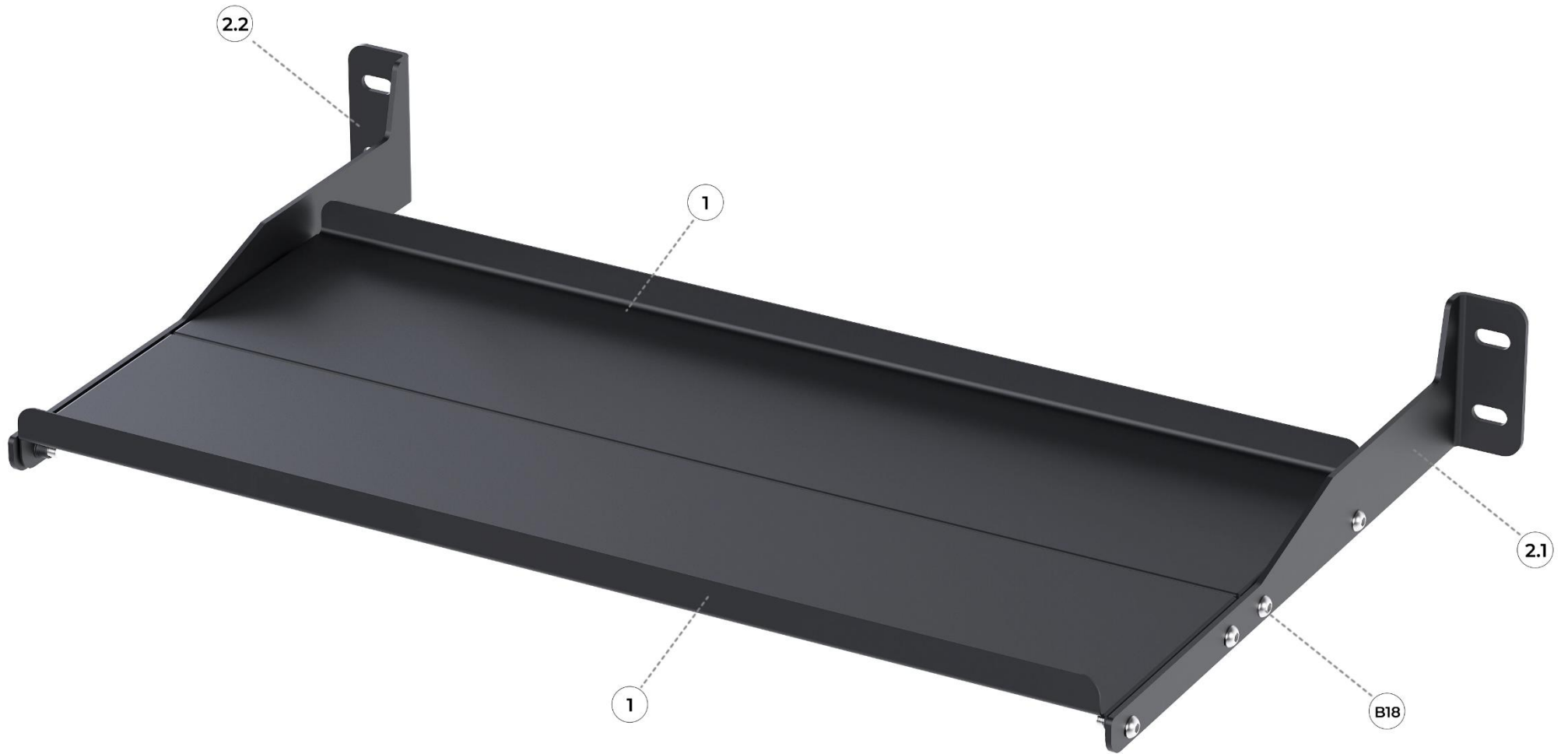
Roll into T-Slot

Step 1: Put the T-Nut (part SN) into the T-Slot channel in horizontal position.

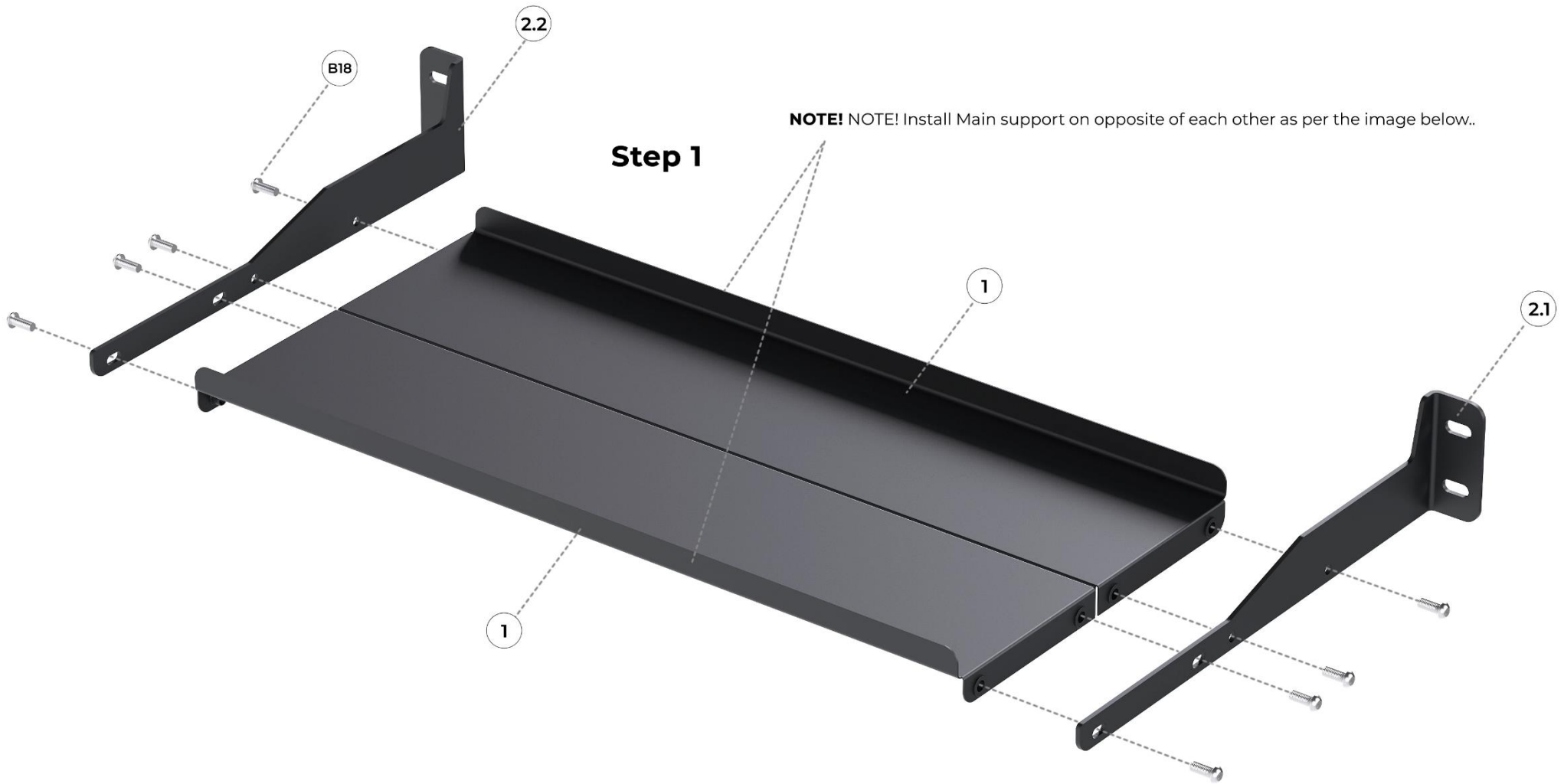
Step 2: Rotate the nut. You can use the No.5 Hex Key to help wiggle the Slot-Nut in place.

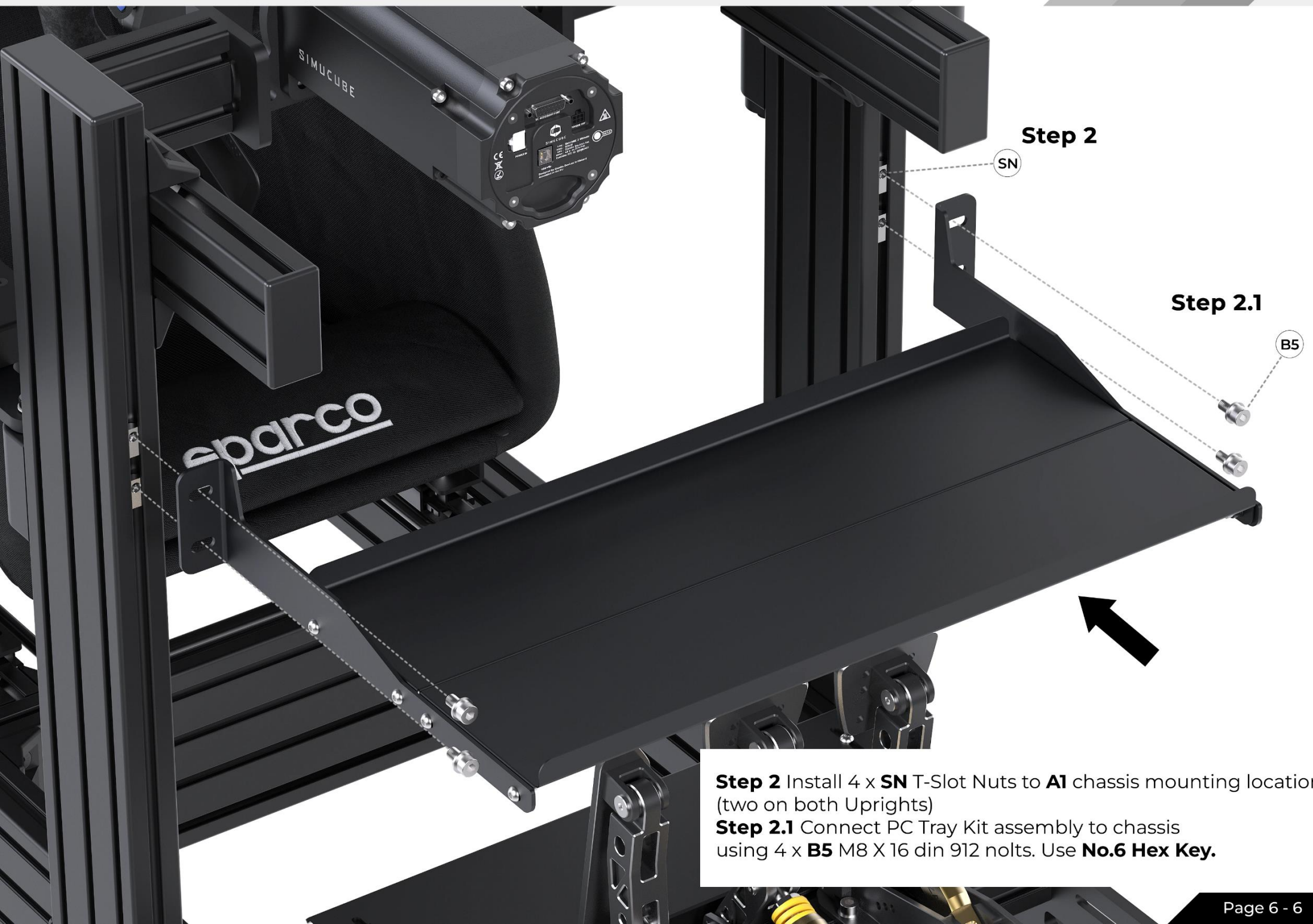
Step 3: Set the T-Nut in place. The guide step positions the nut parallel and central within the slot, which makes it easier to move the nut and prevents from twisting during tightening. The spring-loaded ball prevents an unwanted movement of the nut in the slot, which is highly desirable on a bed with the T-slots in a vertical position.





Step 1 Connect Mounting Bracket **2.1** and **2.2** to both Main support **1** using 8 x **B18** M6x16mm Button head. Use **No.5 Hex Key**.





Step 2 Install 4 x **SN** T-Slot Nuts to **A1** chassis mounting location (two on both Uprights)

Step 2.1 Connect PC Tray Kit assembly to chassis using 4 x **B5** M8 X 16 din 912 bolts. Use **No.6 Hex Key**.